

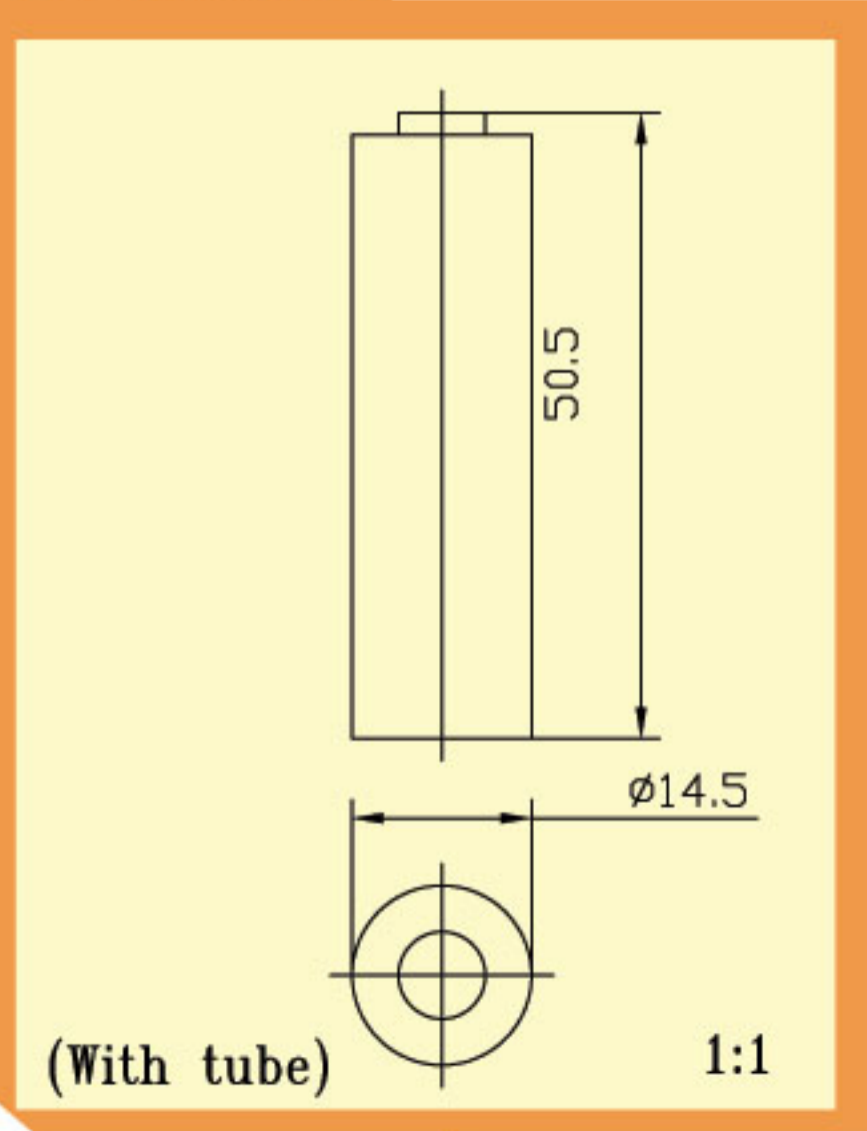
CR14505

Lithium Manganese Dioxide Cylindrical Cell (Data Sheet)

Specifications

Nominal Voltage		3.0V
Dimensions	Diameter	14.5mm
	Height	50.5mm
	Approximate Weight	15g
Discharge Standard Current		10mA
Nominal Capacity		1400mAh
Max.discharge current	Continue	100mA
	Pulse	400mA
Temperature Range(°C)		-40~60

Cell Dimensions



Load characteristics

